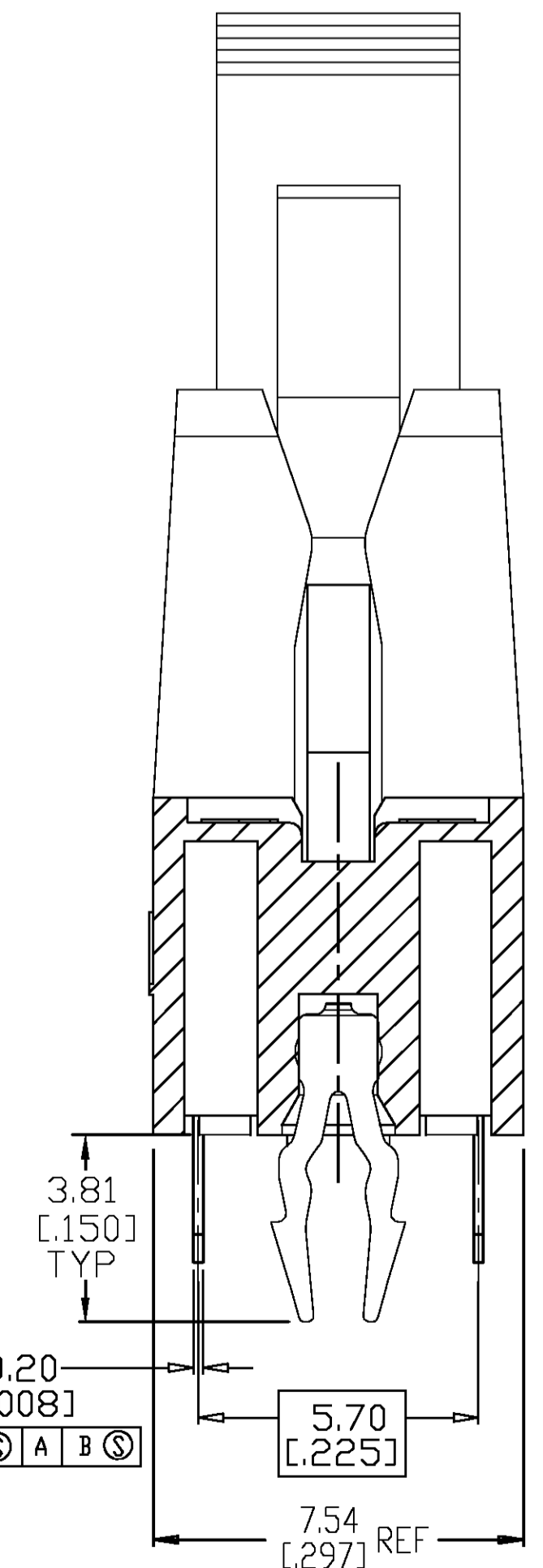
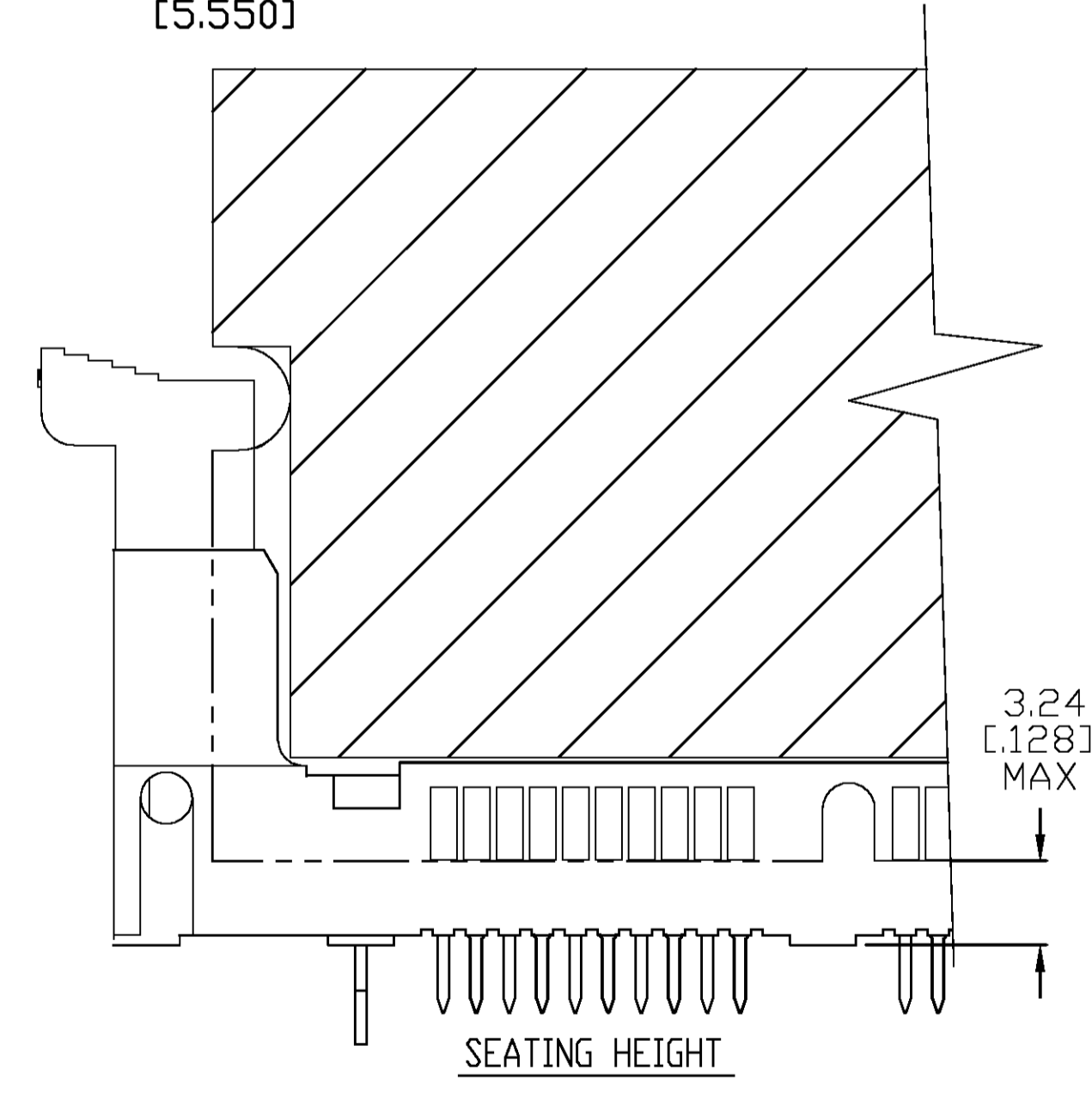


SECTION Y-Y  
 CIRCUITS 1 AND 51  
 SCALE 8:1



SECTION X-X  
 SCALE 8:1



- 1 MATERIAL  
 HOUSING: GLASS FILLED HIGH TEMPERATURE NYLON, COLOR: BLACK.  
 CONTACT: PHOS. BRONZE, C51100, TEMPER H06.  
 RETENTION POST: STAINLESS STEEL, AMP SPEC 100-309.
- 2 FINISH  
 CONTACT:  
 NICKEL PLATE ALL OVER 0.00127mm - 0.0019mm [0.00050 IN - 0.00075 IN] THICK.  
 PER AMP SPEC 112-25-2.  
 GOLD PLATE IN INTERFACE AREA PER AMP SPEC 112-162-5.  
 SEE TABLE FOR MIN. THICKNESS.  
 MATTE TIN PLATE IN SOLDER TAIL AREA 0.00381mm - 0.00635mm [0.00150 IN - 0.00250 IN] THICK.  
 PER AMP SPEC 112-65-1.
- 3 EXTRACTOR MATERIAL: GLASS FILLED HIGH TEMPERATURE NYLON, COLOR: NATURAL, OFF-WHITE.
- 4 EXTRACTOR MATERIAL: POLYSULFONE, COLOR: AMBER, CLEAR

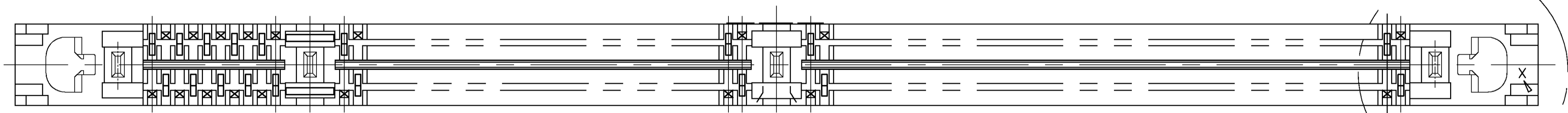
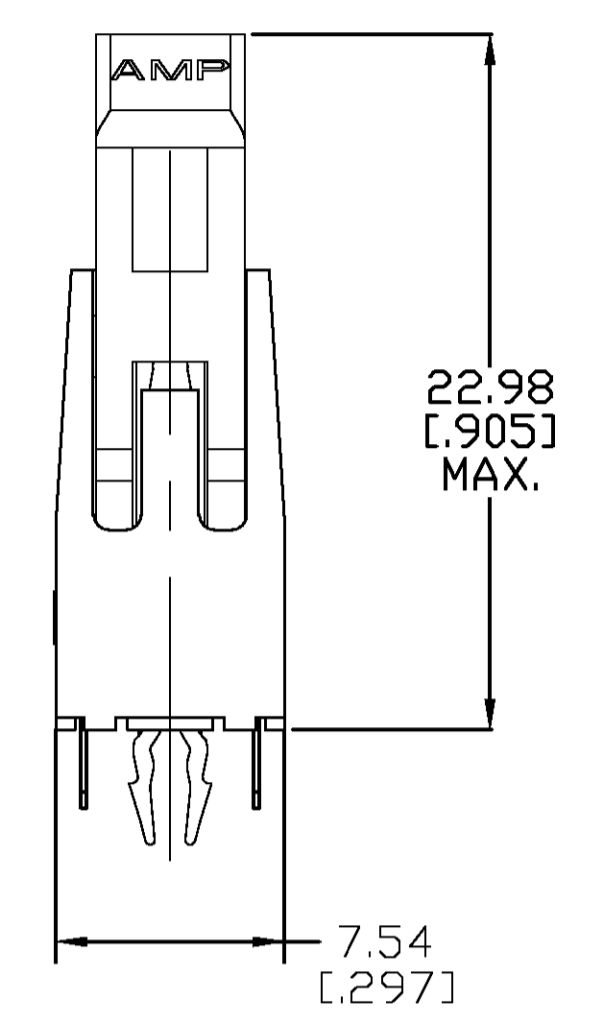
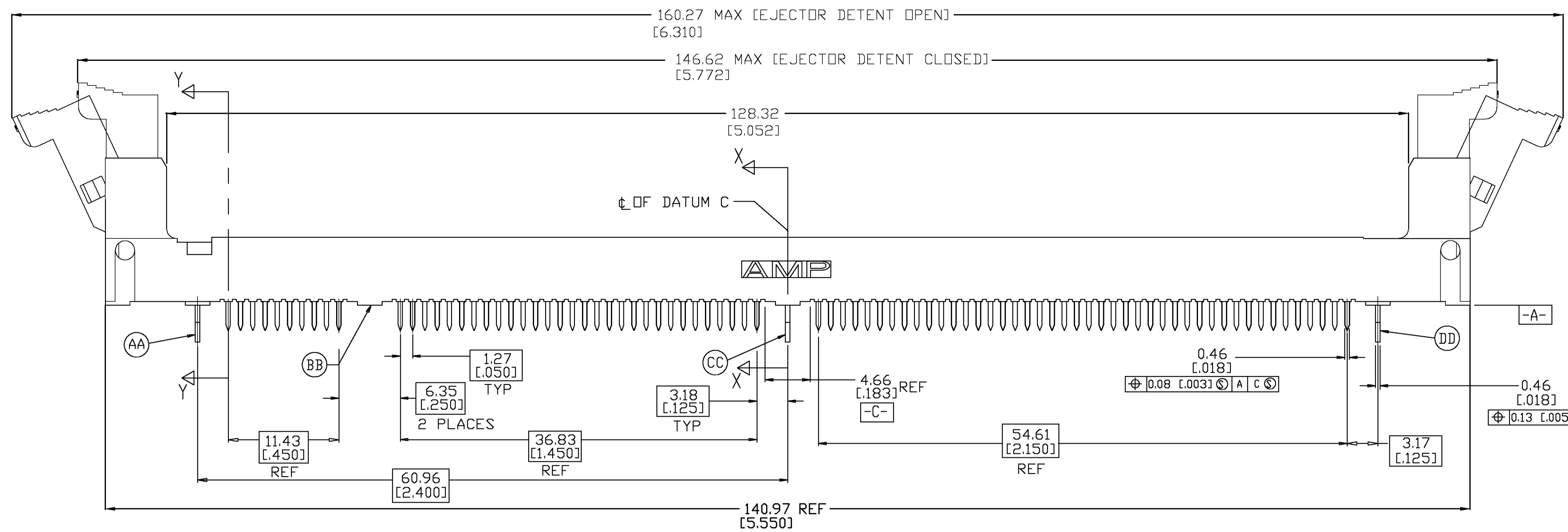
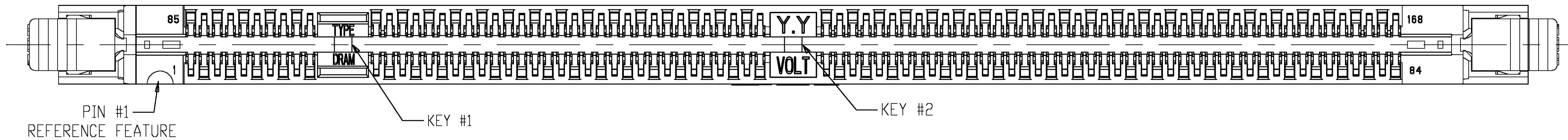
4.06 [0.160]	BB-CC-DD	DETAIL-C	DETAIL-A	3	0.00076mm [0.00030 IN]	NON-BUFFERED DRAM, 3.3 VOLT, POST-PLATED CONTACTS	1-5390169-3
4.06 [0.160]	AA-CC-DD	DETAIL-C	DETAIL-A	3	0.00076mm [0.00030 IN]	NON-BUFFERED DRAM, 3.3 VOLT, POST-PLATED CONTACTS	1-5390169-2
4.06 [0.160]	AA-CC-DD	DETAIL-C	DETAIL-A	4	0.00076mm [0.00030 IN]	NON-BUFFERED DRAM, 3.3 VOLT, POST-PLATED CONTACTS	1-5390169-1
DIM "A"	RETENTION POST LOCATION	KEY #1	KEY #2	EXTRACTOR MATERIAL	GOLD PLATE THICKNESS	DESCRIPTION	PART NUMBER

THIS DRAWING IS A CONTROLLED DOCUMENT.

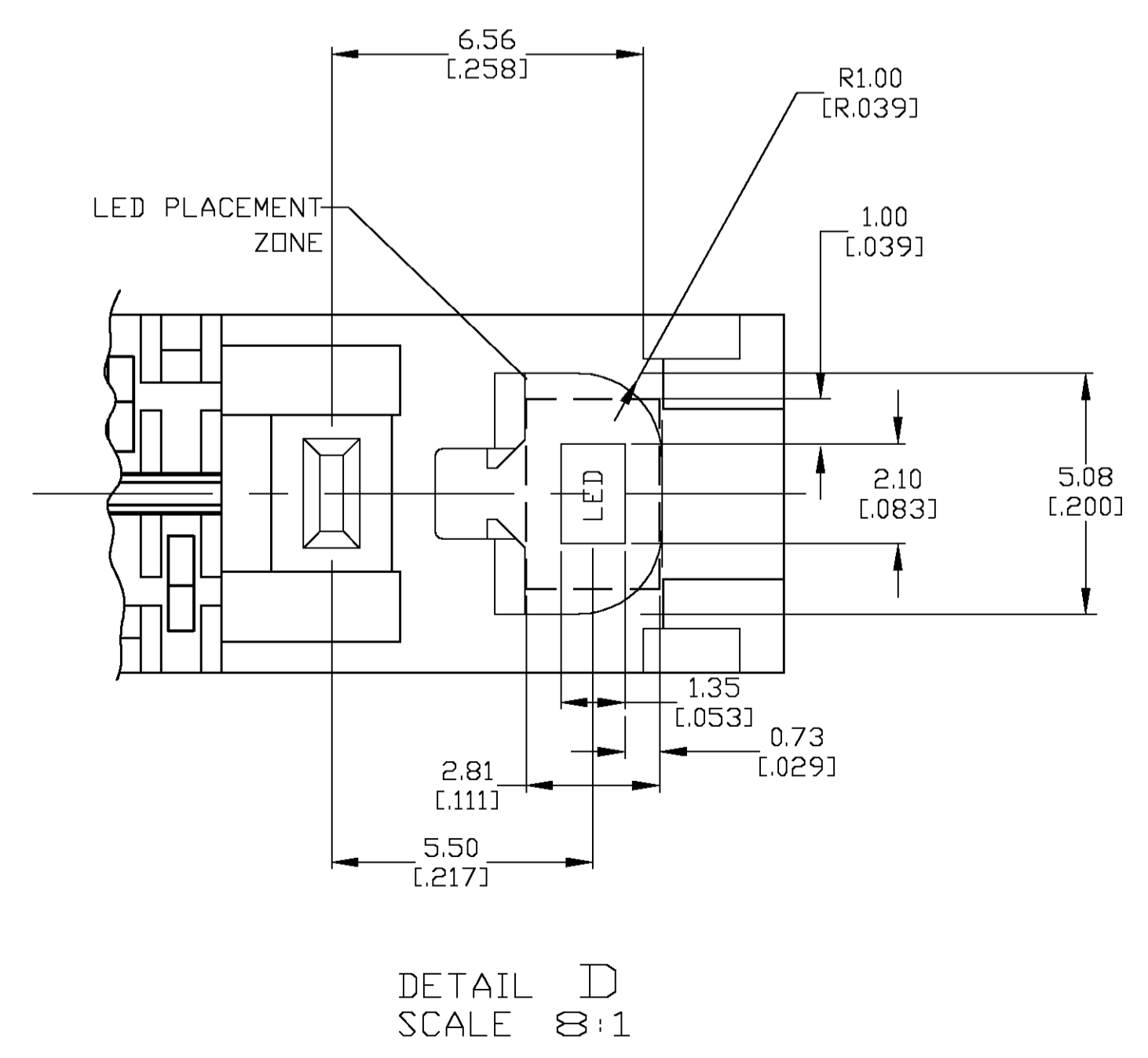
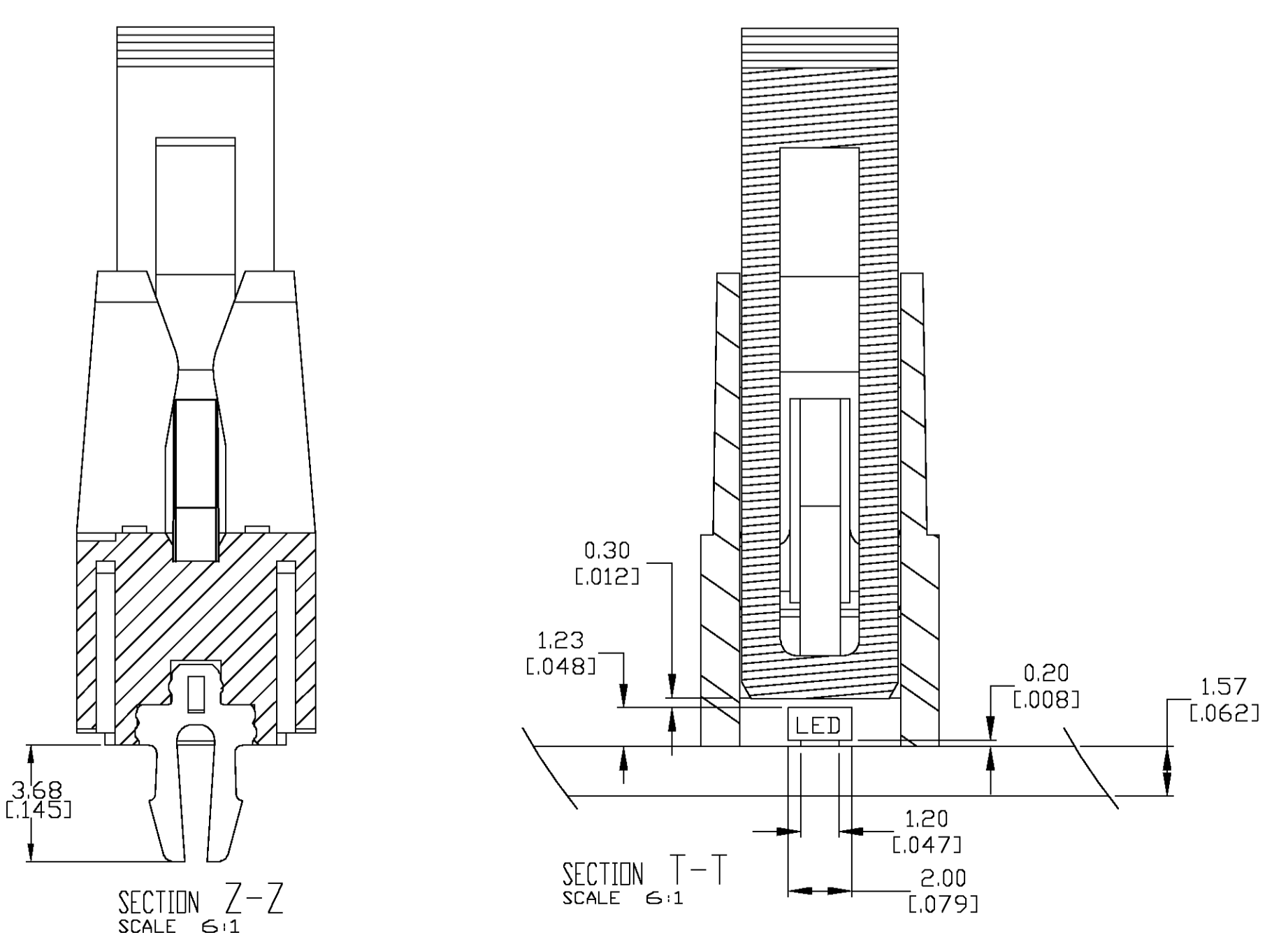
DIMENSIONS: UNLESS OTHERWISE SPECIFIED:	0 PL ±	1 PL ±	2 PL ±	3 PL ± 0.13 [0.005]	4 PL ±	ANGLES ±	
MATERIAL	FINISH	APVD	PRODUCT SPEC	APPLICATION SPEC	SIZE	WEIGHT	
1	2	R. RICHARDSON M. YEOMANS	8DEC04 8DEC04	NAME Tyco Electronics Corporation	8DEC04	8DEC04	
CUSTOMER DRAWING				SCALE 1:1		SHEET 1 OF 3	

SOCKET ASSEMBLY, DIMM2P, LOW INSERTION FORCE, 168 POSITION, POST-PLATED LEAD FREE

00779 5390169



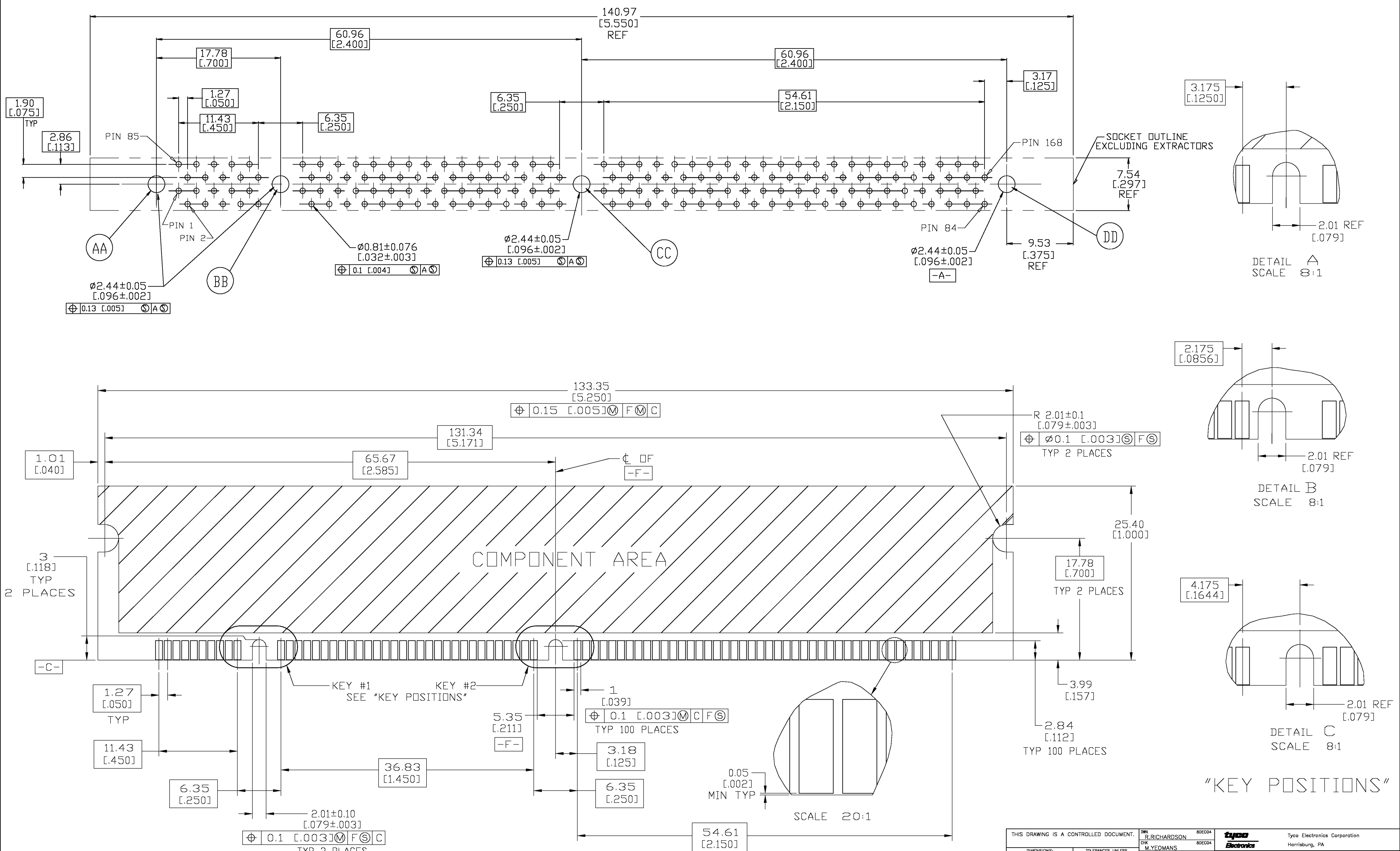
SEE DETAIL D



DETAIL D  
 SCALE 8:1

1-5390169-1 SHOWN

THIS DRAWING IS A CONTROLLED DOCUMENT.		DNW R. RICHARDSON 8DEC04	8DEC04	Tyco Electronics Corporation Harrisburg, PA
		CHK M. YEOMANS	8DEC04	
DIMENSIONS:		TOLERANCES UNLESS OTHERWISE SPECIFIED:		NAME SOCKET ASSEMBLY, DIMM2P, LOW INSERTION FORCE, 168 POSITION, POST-PLATED LEAD FREE
MM [INCHES]		0 PLC ± - 1 PLC ± - 2 PLC ± 0.13 [0.005] 3 PLC ± - 4 PLC ± - ANGLES ± -		
MATERIAL		FINISH		SIZE A1
				CAGE CODE 00779
				DRAWING NO. 5390169
				RESTRICTED TO -
				SCALE 1:1
				SHEET 2 OF 3
				REV A



RECOMMENDED MODULE LAYOUT  
 SEE JEDEC SPEC. MO-161 FOR COMPLETE MODULE DETAILS,  
 1.27±0.10[.050±.004] THICK ACROSS PADS

THIS DRAWING IS A CONTROLLED DOCUMENT.		DNW R. RICHARDSON	8DEC04	 Tyco Electronics Corporation Harrisburg, PA
DIMENSIONS: MM [INCHES]		CHK M. YEOMANS	8DEC04	
TOLERANCES UNLESS OTHERWISE SPECIFIED: 0 PL ± - 1 PL ± - 2 PL ± 0.13 [.005] 3 PL ± - 4 PL ± - ANGLES ± -		APVD	NAME	PRODUCT SPEC
MATERIAL		FINISH	SIZE	APPLICATION SPEC
			WEIGHT	RESTRICTED TO
			A1	CUSTOMER DRAWING
			00779	SCALE 1:1
			5390169	SHEET 3 OF 3
				REV A